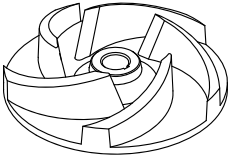


HYDROPOMPE		60 Hz
HYDRO SERIES		2 POLE
10M-15T-20M-20T-30T		

USE

Submersible electric pumps suitable for the lifting of clear and dirty water. They can be used as portable pumps either in building yards, basement tanks or for fixed installation with electric panel and float switch.

MATERIALS

- Cover**
Anticorodal aluminium alloy
- Motor housing**
Aluminium alloy EN-AW 6060
- Pump housing**
Anticorodal aluminium alloy
- Strainer**
Anticorodal aluminium alloy
- Wear plate**
HYDRO 10M-15T stainless steel AISI 304
HYDRO 20M-20T-30T anticorodal aluminium alloy with rubber coating
- Impeller**
Cast iron EN GJL 200 (UNI EN 1561)
- Mechanical seal**
Silicon Carbide/Silicon Carbide (SiC/SiC)
- Motor shaft**
Stainless steel AISI 420
- Bolts and nuts**
Stainless steel Grade A2
- Cable**
10 meters type H07RN-F
HYDRO 10M with 4G1,5mm² cable, capacitor box and SCHUKO (CEE 7/VII) plug
HYDRO 20M with 4G2,5mm² cable, capacitor box and SCHUKO (CEE 7/VII) plug
Three-phase with 4G1,5mm² cable

LIMITS TO USE

- Max temperature of the liquid pumped**
+40°C
- pH of the liquid pumped**
5÷8
- Max immersion depth**
20 m
- Liquid density**
1,0 kg/dm³
- Min immersion depth for continuous service**
See drawing
- Free passage**
6 mm
- Max number starts/hour**
20
- Acoustic pressure level issued**
<70dB(A)

MOTOR

The electric motor is asynchronous with squirrel cage rotor in oil bath
Class of insulation F
Protection degree IP68
2pole; 60Hz

Main voltage values and relative tolerance in relation to the rated voltage value:

SINGLE-PHASE
230V ±6%
built-in overheating protection and float switch

THREE-PHASE
230V ±10%
400V ±10%

Other voltages on request.

OTHER FEATURES ON REQUEST

Frequency 50 Hz (*see specific catalogue*)
Other voltages
With food grade white oil

TECHNICAL DATA

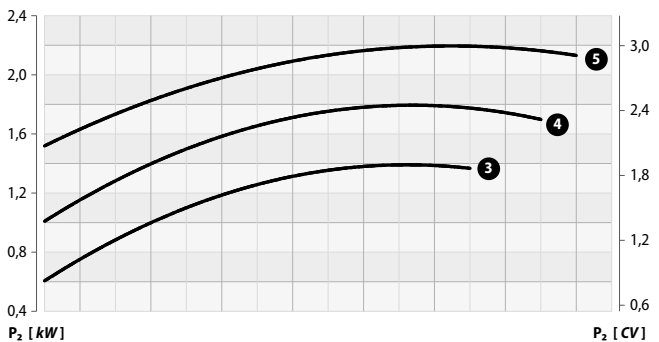
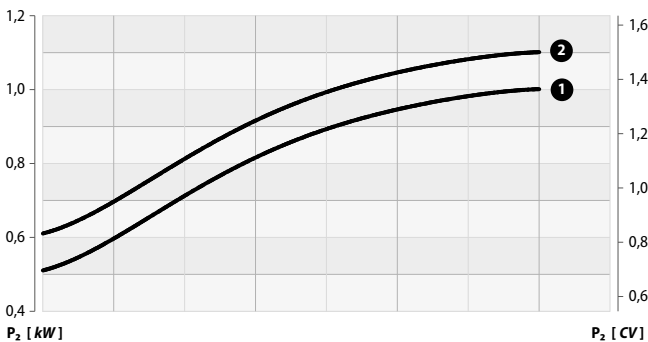
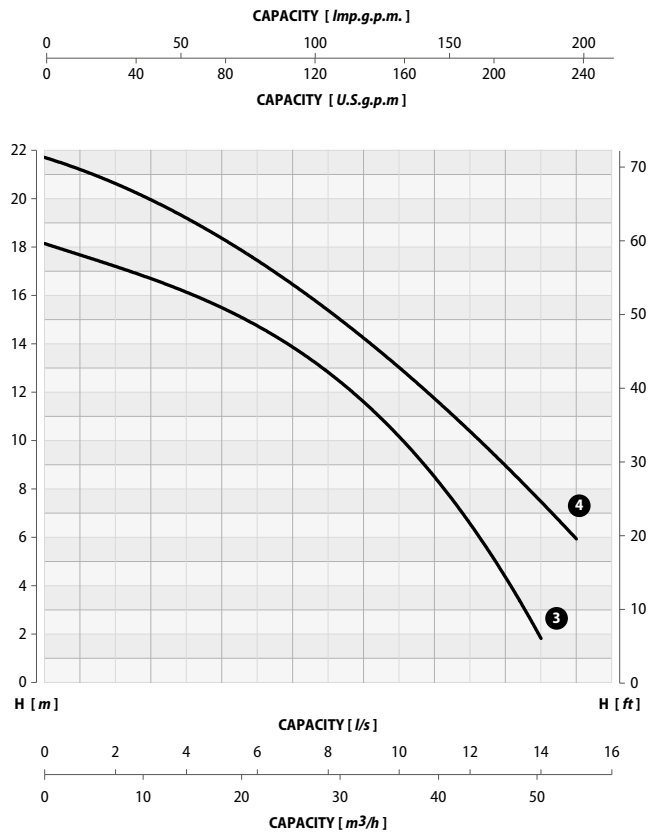
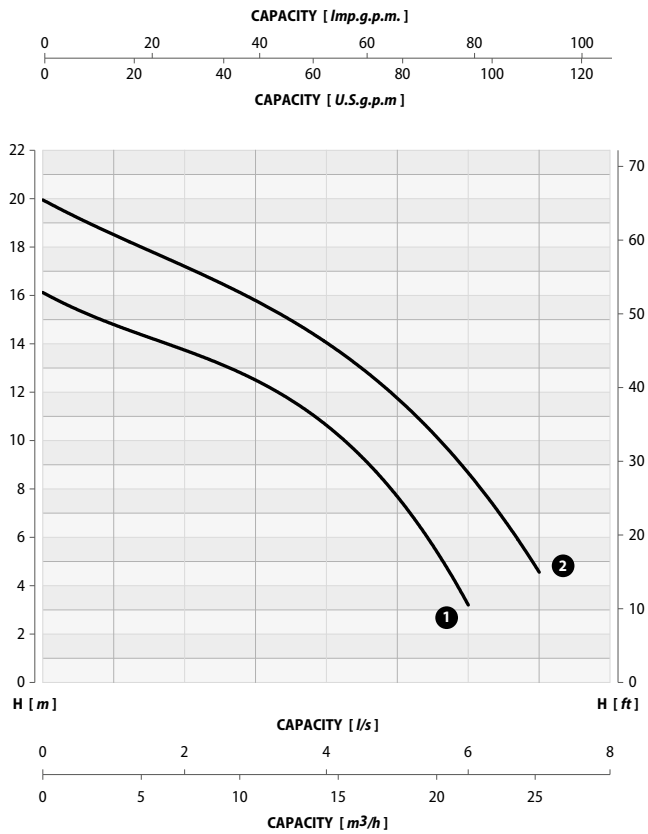
MODEL	P1 kW	P2		VOLTAGE V	CURRENT A	CAPACITOR		CABLE m	WEIGHT kg
		kW	CV			µF	V		
10M	1,4	1,0	1,36	230 (1~)	7,2	25	450	10	20
15T	1,7	1,1	1,5	230/400 (3~)	5,2/3,0	-	-	10	20
20M	2,4	1,8	2,4	230 (1~)	14,0	30	450	10	27
20T	2,4	1,8	2,4	230/400 (3~)	8,0/4,6	-	-	10	25
30T	2,9	2,2	3,0	230/400 (3~)	8,7/5,0	-	-	10	26

HYDRO SERIES	10M-15T-20M-20T-30T		OPEN IMPELLER	60 Hz
				2 POLE

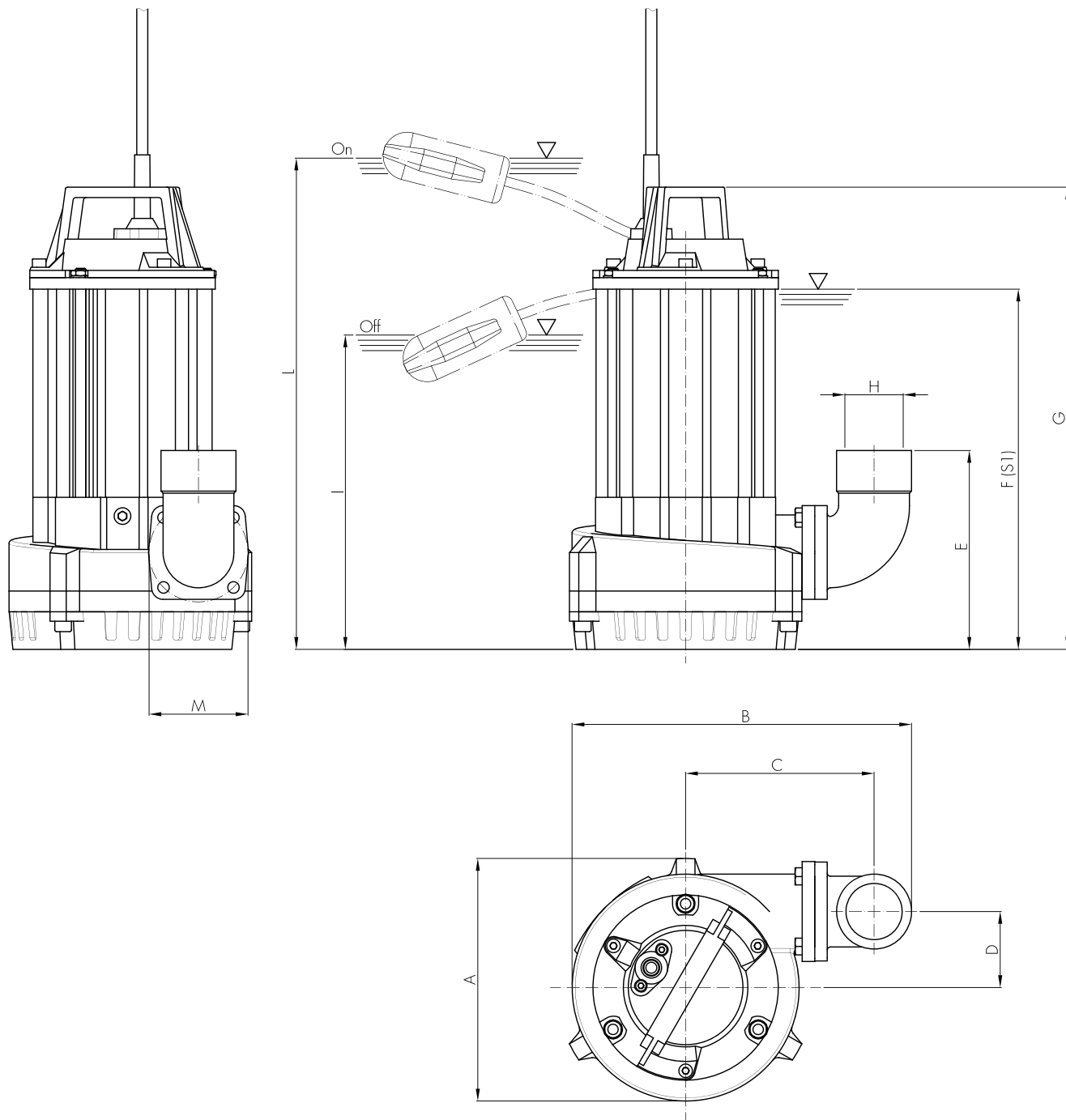
PERFORMANCE RANGE

		CAPACITY															
		0	1	2	3	4	5	6	7	8	9	10	11	12	13	14	15
<i>l/s</i>		0	1	2	3	4	5	6	7	8	9	10	11	12	13	14	15
<i>m³/h</i>		0	3,6	7,2	10,8	14,4	18,0	21,6	25,2	28,8	32,4	36,0	39,6	43,2	46,8	50,4	54,0
<i>l/min</i>		0	60	120	180	240	300	360	420	480	540	600	660	720	780	840	900

MODEL	CURVE N°	HEAD m															
		16,0	15,0	14,0	12,0	10,5	8,2	3,0	-	-	-	-	-	-	-	-	-
10M	1	16,0	15,0	14,0	12,0	10,5	8,2	3,0	-	-	-	-	-	-	-	-	-
15T	2	20,0	18,5	17,0	16,0	14,0	12,0	8,3	4,7	-	-	-	-	-	-	-	-
20M	3	18,1	17,8	17,1	16,9	16,0	15,4	14,7	13,9	13,0	11,7	10,0	8,5	6,8	4,0	2,0	-
20T																	
30T	4	21,8	21,1	20,7	19,9	19,2	18,2	17,5	16,6	15,5	14,2	13,1	11,8	10,1	9,0	7,5	6



Performance tolerance in according to UNI/ISO 9906 Grade 3B

HYDRO SERIES**10M-15T-20M-20T-30T****OPEN IMPELLER****60 Hz****2 POLE****INSTALLATION DIMENSIONS**

	A	B	C	D	E	F	G	H	I	L	M
10M	190	290	175	60	162	290	390	G1½			75
15T											
20M	233	326	180	73	190	345	445	G2			95
20T											
30T											
10M/G	190	290	175	60	162	290	390	G1½	~230	~440	75
20M/G	233	326	180	73	190	345	485	G2	~240	~530	95

HYDRO SERIES	10M-15T-20M-20T-30T		OPEN IMPELLER	60 Hz
				2 POLE

NOTES



Area with horizontal dashed lines for taking notes.

 Changes reserved

02/2019