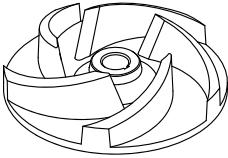


HYDROPOMPE		60 Hz
HYDRO SERIES		2 POLE
9XM-9XT-11XM-11XT		

USE

Submersible electric pumps suitable for the lifting of clear and dirty water. They can be used as portable pumps either in building yards, basement tanks or for fixed installation with electric panel and float switch.

MATERIALS

- Cover**
Cast iron EN GJL 200 (UNI EN 1561)
- Pump housing**
Cast iron EN GJL 200 (UNI EN 1561)
- Strainer**
Stainless steel AISI 304
- Impeller**
Cast iron EN GJL 200 (UNI EN 1561)
- Seal motor side**
Seal ring
- Mechanical seal impeller side**
Silicon Carbide/Silicon Carbide (SiC/SiC)
- Motor housing**
Stainless steel AISI 304
- Motor shaft**
Stainless steel AISI 420
- Bolts and nuts**
Stainless steel Grade A2
- Cable**
10 meters type H07RN-F
Single-phase with 3G1mm² cable and SCHUKO (CEE 7/VII) plug
Three-phase with 4G1mm² cable

LIMITS TO USE

- Max temperature of the liquid pumped**
+40°C
- pH of the liquid pumped**
6÷10
- Max immersion depth**
5 m
- Liquid density**
1,0 kg/dm³
- Min immersion depth for continuous service**
329 mm
- Free passage**
6 mm
- Max number starts/hour**
20
- Acoustic pressure level issued**
<70dB(A)

MOTOR

The electric motor is asynchronous with squirrel cage rotor in dry chamber
Class of insulation F
Protection degree IP68
2pole; 60Hz

Main voltage values and relative tolerance in relation to the rated voltage value:

SINGLE-PHASE
230V ±6%
built-in overheating protection and float switch

THREE-PHASE
230V ±10%
400V ±10%


Other voltages on request.

OTHER FEATURES ON REQUEST

External capacitor with 4G1mm² cable
Frequency 50 Hz (see specific catalogue)
Other voltages
With food grade white oil

TECHNICAL DATA

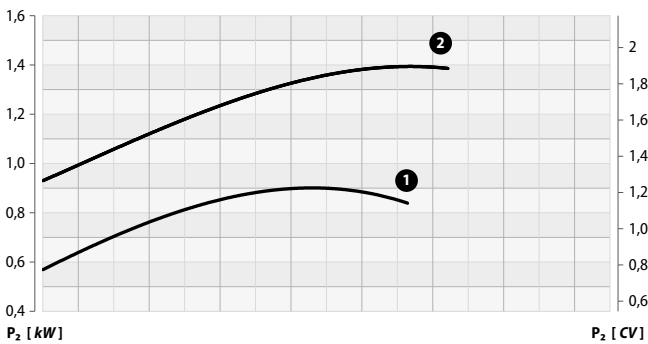
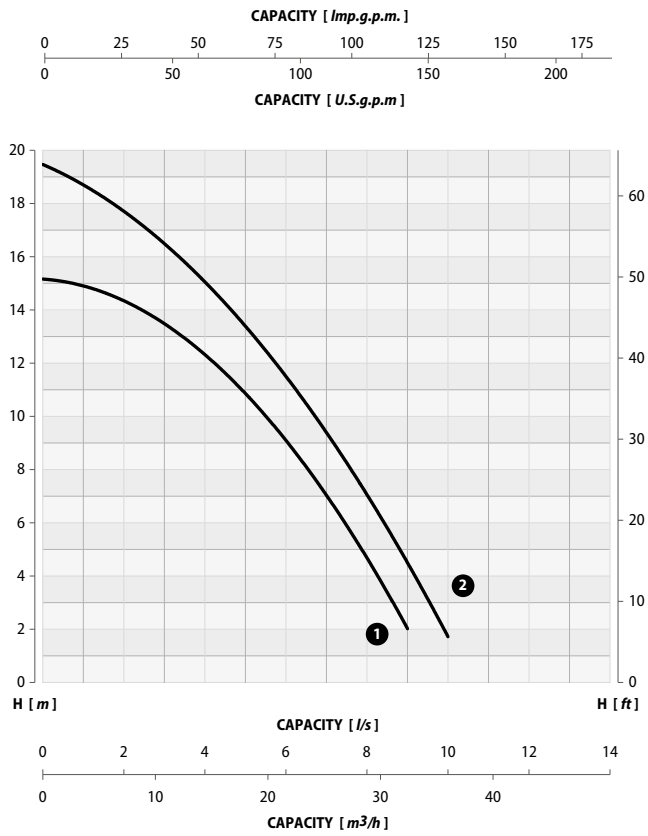
MODEL	P1 kW	P2		VOLTAGE V	CURRENT A	CAPACITOR		CABLE m	WEIGHT kg
		kW	CV			µF	V		
9XM	1,20	0,90	1,20	230 (1~)	5,6	20	450	10	18
9XT	1,20	0,90	1,20	230/400 (3~)	3,4/2	-	-	10	18
11XM	1,80	1,40	1,90	230 (1~)	8,8	25	450	10	20
11XT	1,80	1,40	1,90	230/400 (3~)	6,5/3,8	-	-	10	20

HYDRO SERIES	9XM-9XT-11XM-11XT		OPEN IMPELLER	60 Hz
				2 POLE


PERFORMANCE RANGE

		CAPACITY														
<i>l/s</i>	0	1,0	1,5	2,0	2,5	3,0	3,5	4,0	4,5	5,0	6,0	7,0	8,0	9,0	10,0	
<i>m³/h</i>	0	3,6	5,4	7,2	9,0	10,8	12,6	14,4	16,2	18,0	21,6	25,2	28,8	32,4	36,0	
<i>l/min</i>	0	60	90	120	150	180	210	240	270	300	360	420	480	540	600	

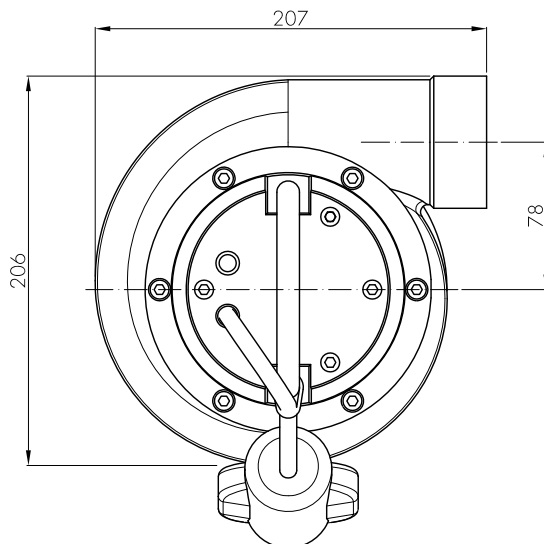
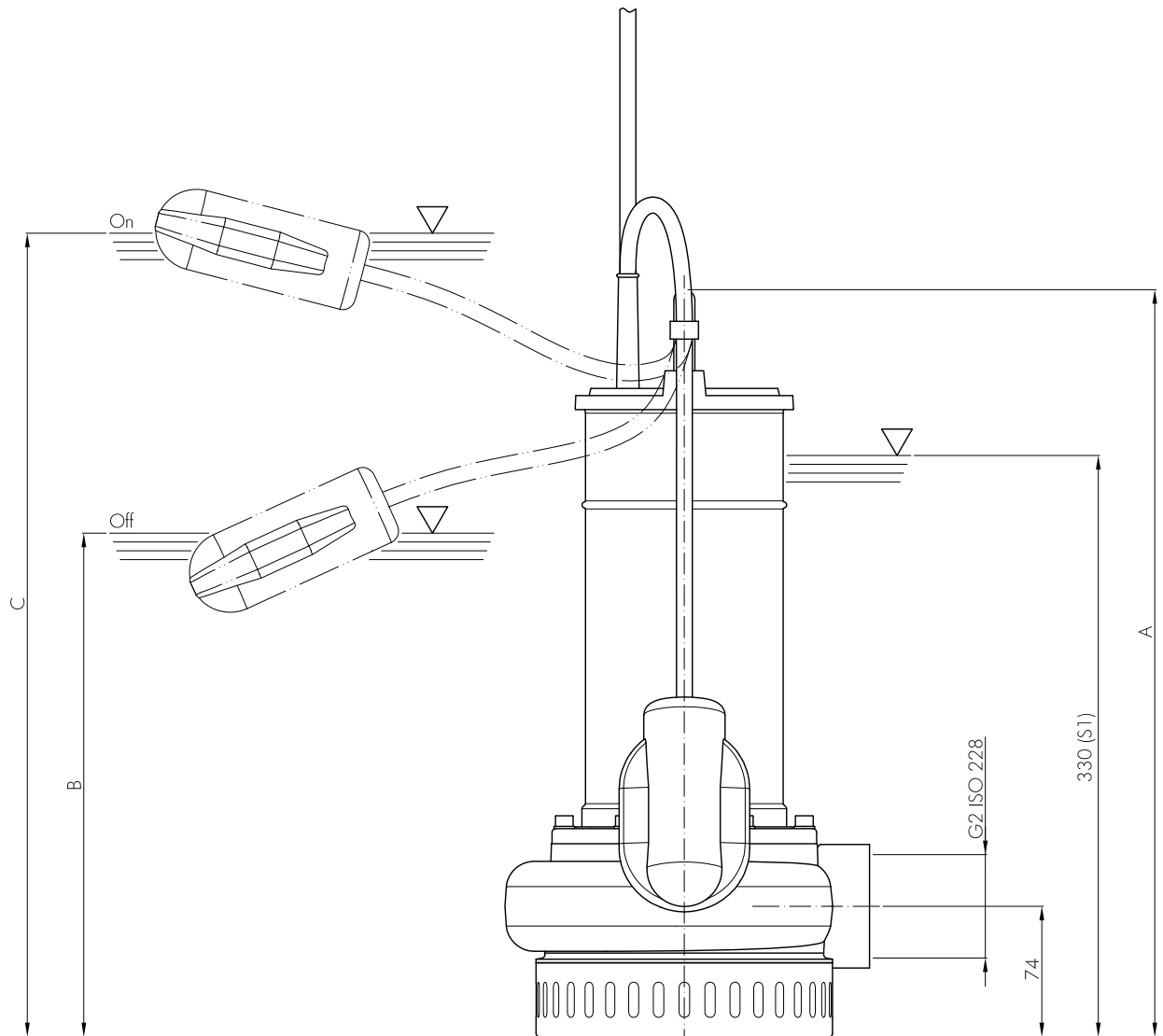
MODEL	CURVE N°	HEAD m															
		9XM	1	15,2	14,9	14,6	14,3	14,0	13,5	13,0	12,4	11,6	10,9	9,0	7,0	4,8	2,0
9XT	11XM	2		19,8	18,7	18,1	17,6	17,0	16,4	15,6	15,0	14,2	13,5	11,8	9,6	7,2	4,5
11XT																	



Performance tolerance in according to UNI/ISO 9906 Grade 3B

HYDRO SERIES	9XM-9XT-11XM-11XT		OPEN IMPELLER	60 Hz
				2 POLE

INSTALLATION DIMENSIONS

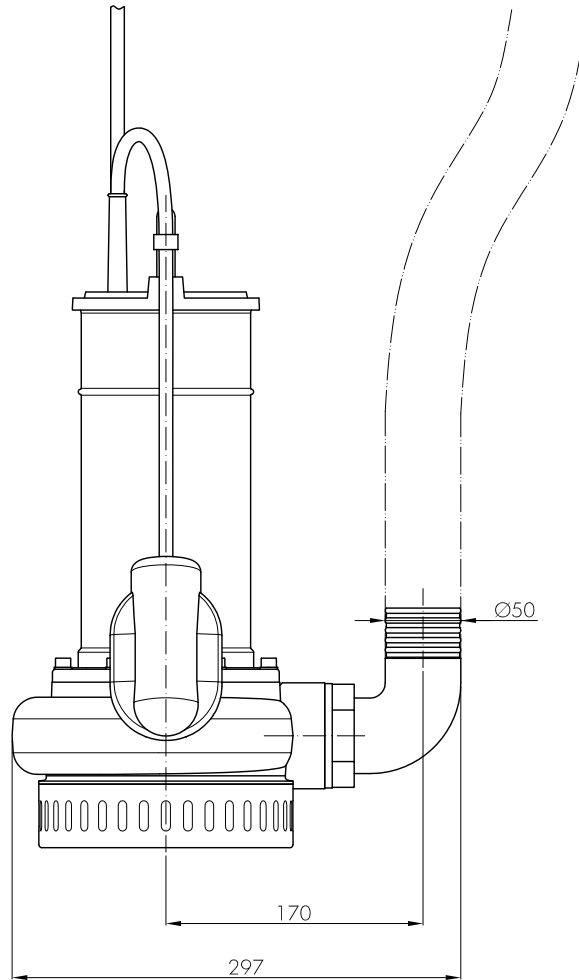


	A	B	C
9X...	424	~260	~460
11X...	449	~285	~485

HYDRO SERIES	9XM-9XT-11XM-11XT		OPEN IMPELLER	60 Hz
				2 POLE

PORTABLE INSTALLATION

Transportable as emergency pump with connection to the hose and for free installation in the well.



NOTES



.....

.....

.....

.....

.....

.....

.....

i Changes reserved

02/2019